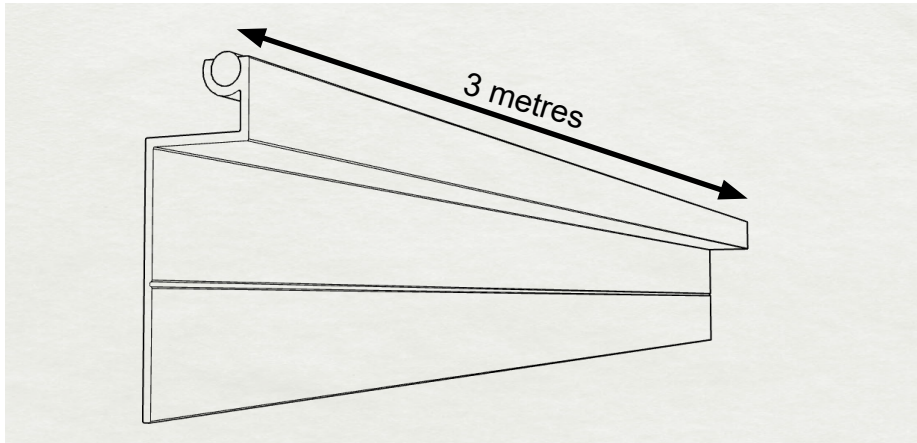
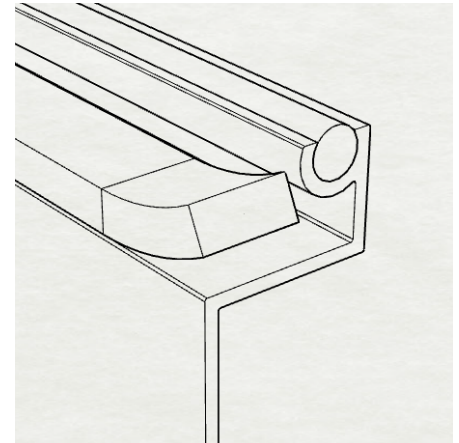


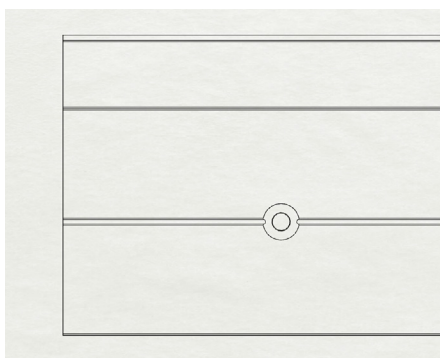
# INTERIOR TRIM - INSTALLATION INSTRUCTIONS



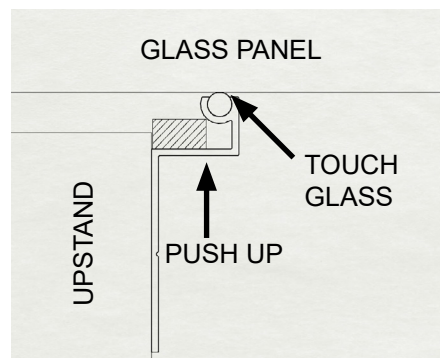
1. Cut to length as required (standard flashing length is 3 metres)



2. Apply insulating foam tape



3. Drill  $\text{\O}3.5\text{mm}$  holes approximately 400mm apart



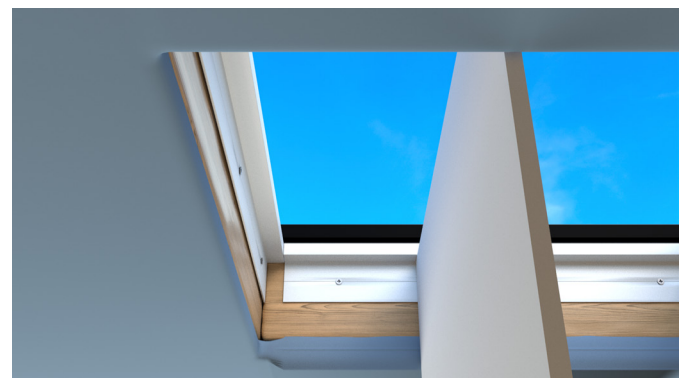
4. Push flashing up against glass panel for alignment

## TIP

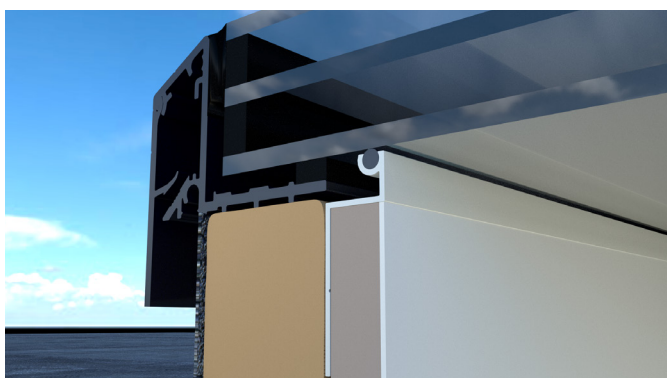
If the skylight is inclined, then it is recommended to install the flashing on the inclined upstand surfaces first.



5. Fix flashing with 3.5mm screws supplied



6. Apply plasterboards (0.5 inch or 12.5mm plasterboards only)



5. Apply skim on top of plasterboards to complete the installation

## ANY QUESTIONS?

You can contact us at the head office on:

Call: +44 (0)141 445 6655

Email: [info@skylight.co.uk](mailto:info@skylight.co.uk)